

# TUG TECHNOLOGIES

## Providing Ground Support Solutions Worldwide



Model shown above includes additional options.  
\*Front hitch shown is an option.

## Model MR-10 Cargo and Aircraft Tow Tractor

The low profile of this tow tractor ensures greater visibility in all directions for safe operation. New for 2009, the MR-10 provides drawbar pull of 10,000 pounds (4,536 kg) and is powered by either a Deutz Tier II engine or a Kubota Tier III engine. Other features include four-wheel suspension and disc brakes, power steering and uni-body frame construction. An enclosed cabin and hitch options are also available.

**Equipment Sales**  
Tel: (770) 422-7230  
Fax: (770) 428-7315

**Parts Sales**  
Tel: (800) 989-8499  
Fax: (770) 422-8730

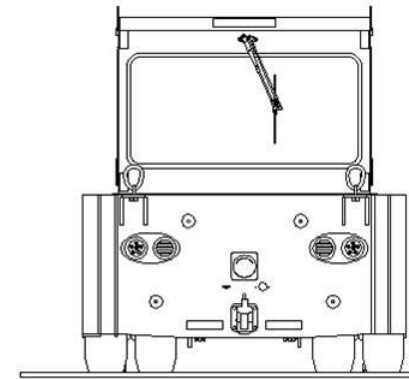
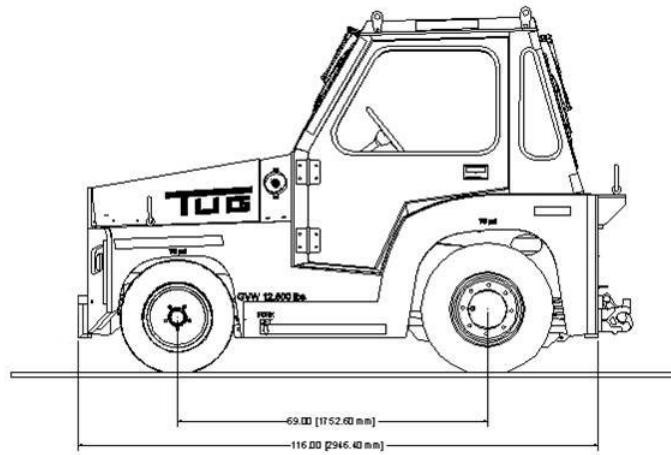
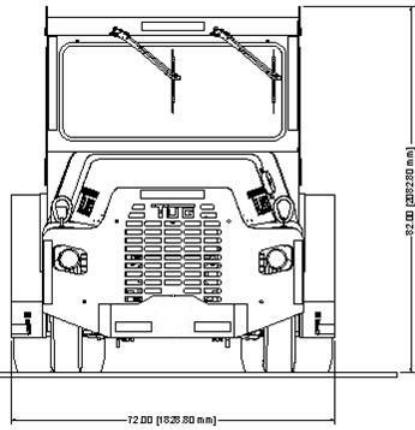
**Online**  
[www.tugtech.com](http://www.tugtech.com)

### *Standard features include:*

- Four-wheel suspension—leaf springs on front axle, coil springs and shock absorbers on rear
- Dual rear wheels
- Power boosted four-wheel disc brakes, rear wet disc
- Split braking systems
- Power steering
- Automatic transmission
- Color coded and numbered plug & play wire harness
- Emergency shutdown button
- Recessed headlights
- Single piece front wheels with tubeless tires
- Seat belts
- Turn Signals



*If it doesn't say TUG, it's not TUG TUFF*



**Specifications**                      **Model MR-10**                      **Cargo and Aircraft Tow Tractor**

**Dimensions**

Length excluding coupler ..... 116" (2946 mm)  
 Width.....72" (1829 mm)  
 Height less cab .....60" (1524 mm)  
 Height with cab .....82" (2083 mm)  
 Wheelbase .....69" (1753 mm)  
 Minimum ground clearance.....5.75" (146 mm)  
 Turning radius .....155" (3937 mm)  
 Maximum governed speed .. 15 mph (24.14 kph)

**Drawbar Pull**

Drawbar Pull                      10,000 lb (4536 kg)  
 Note: Drawbar pull from front hitch...8,000 lb (3629 kg)

**Gross Vehicle Weight**

With cab- 12,500 lbs (5,669 kg)  
 Without cab- 11,960 lbs (5,425 kg)

**Engine Options**

**Deutz BF4M2011 Diesel**

Type.....Oil-cooled, direct injected  
 in-line, turbocharged, 4 cylinder  
 Fuel ..... Diesel or Jet 1-A  
 Displacement..... 189 CID (3.1 L)  
 Governed rpm with full load ..... 2800  
 Net brake hp at governed rpm .....87.1 (65 kW)  
 Torque at 1600 rpm..... 199 lb ft (270 Nm)

**Kubota V3600-T-E3B**

Type..... Vertical 4-cycle water  
 cooled, 4 Cylinder Turbo  
 Fuel .....Diesel  
 Displacement ..... 220.9 CID (3.6 L)  
 Governed rpm with full load ..... 2600  
 Net brake hp at governed rpm..... 84.5 (63.0 kW)  
 Torque at 1700 rpm..... 214 lb ft (290Nm)

**Transmission**

Type..... Industrial 3-speed automatic  
 transmission with torque converter

**Drive Axle**

Type     Heavy duty 12,000-lb (5443 kg)  
 capacity axle with drop box

**Drive Shaft**

Type..... Double-universal,  
 sliding spline coupling

**Electrical System**

Type..... 12 V, negative ground  
 Alternator ..... 91 A

**Cooling System (Deutz)**

Engine ..... 15-quart (14.2 L)  
 oil cooled with heavy-duty radiator and fan  
 Transmission ..... Separate cooler  
 In front of radiator

**Cooling System (Kubota)**

Engine ..... 2.25 gal (8.51 L)  
 50/50 Ethylene-Glycol mixture  
 Transmission ..... Separate cooler  
 In front of radiator

**Fuel System**

Fuel Cell Capacity ..... 18.4 U.S. gal (69.7 L)  
 Construction ..... Stainless steel

**Brakes**

Service ..... 4-wheel disc with hydraulic power  
 assist and dual master cylinder  
 Front—Dry Disc  
 Rear—Wet Disc  
 Parking ..... Lever-operated drum type

**Steering System**

Type .....Hydrostatic Power steering

**Suspension**

Front ..... Leaf springs  
 Rear.....Coil springs with shock absorbers

**Tires**

Front ..... 185R14  
 Rear.....8.75 x 16.5

**Hitch**

Standard E-hitch ..... Other options available

**Instruments**

Coolant temperature, oil pressure, voltmeter, hour  
 meter, and fuel gauge

**Options Available**

Cab  
 Backup alarm  
 Additional hitches to fit customer specifications



**Equipment Sales**  
 1995 Duncan Dr. • Kennesaw, GA 30014 USA  
 Tel: (770) 422-7230 • Fax: (770) 422-8315  
 www.tugtech.com

**TUG Genuine Parts**  
 TUG Parts: (800) 989-8499 • (770) 422-8021  
 Fax (770) 422-8730  
 www.tugparts.com

